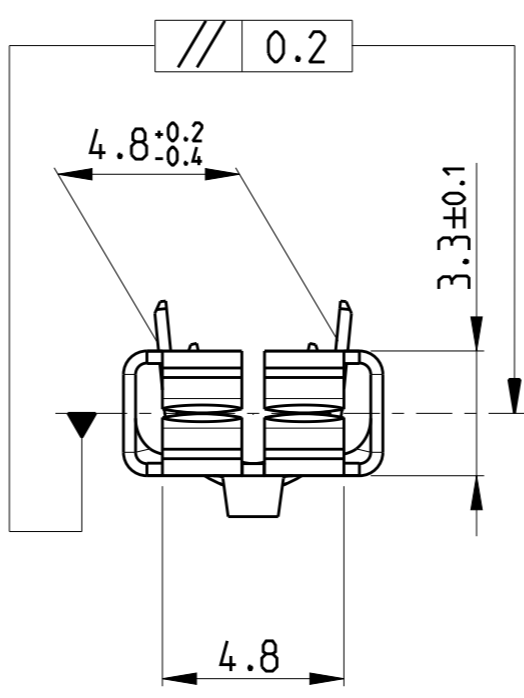
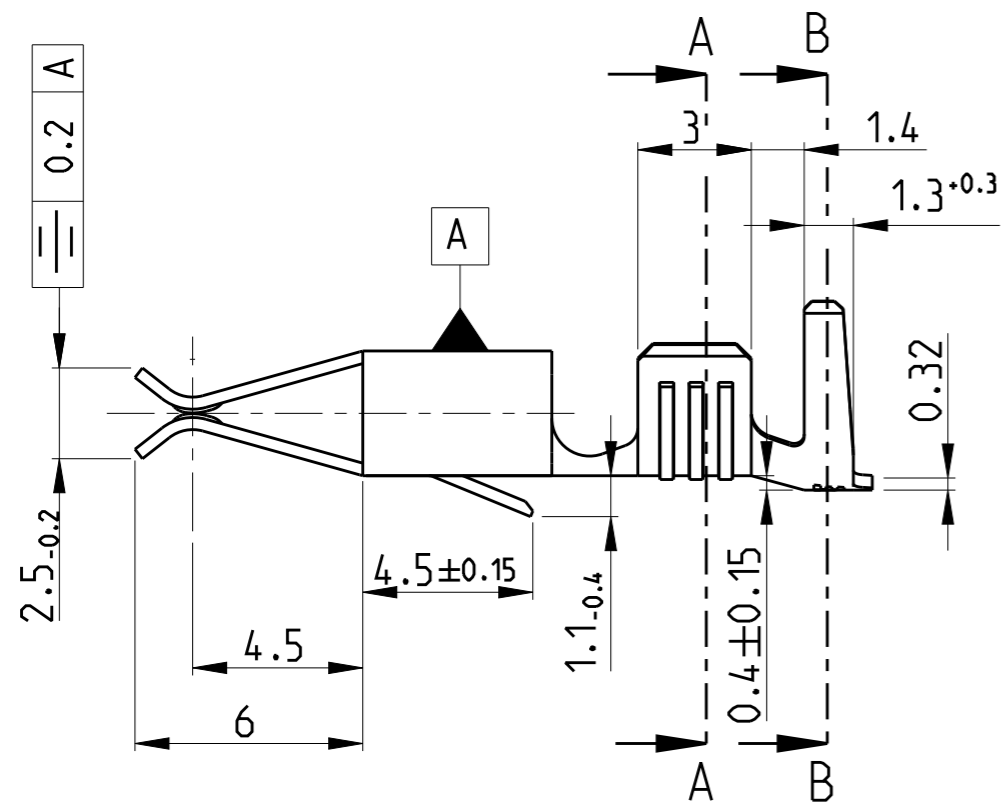


THIS DRAWING IS UNPUBLISHED. RELEASED FOR PUBLICATION 20  
 © COPYRIGHT 20 BY - ALL RIGHTS RESERVED.

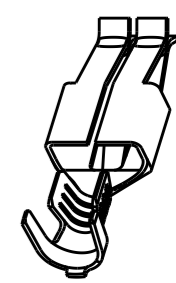
REVISIONS

P	LTR	DESCRIPTION	DATE	DWN	APVD
W 1		ECR-14-007191	25JUN2014	SK	RS
W 2		ECR-15-012070	13AUG2015	JB JH	BK

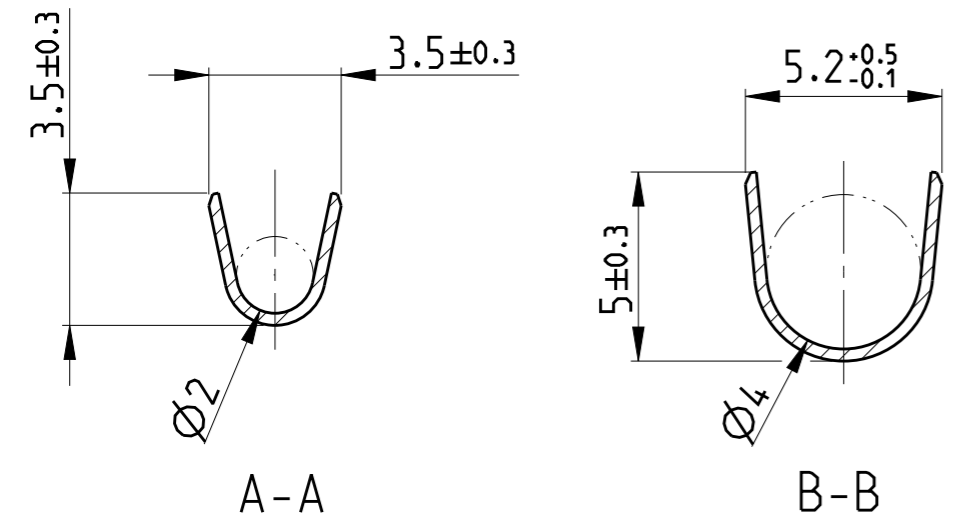
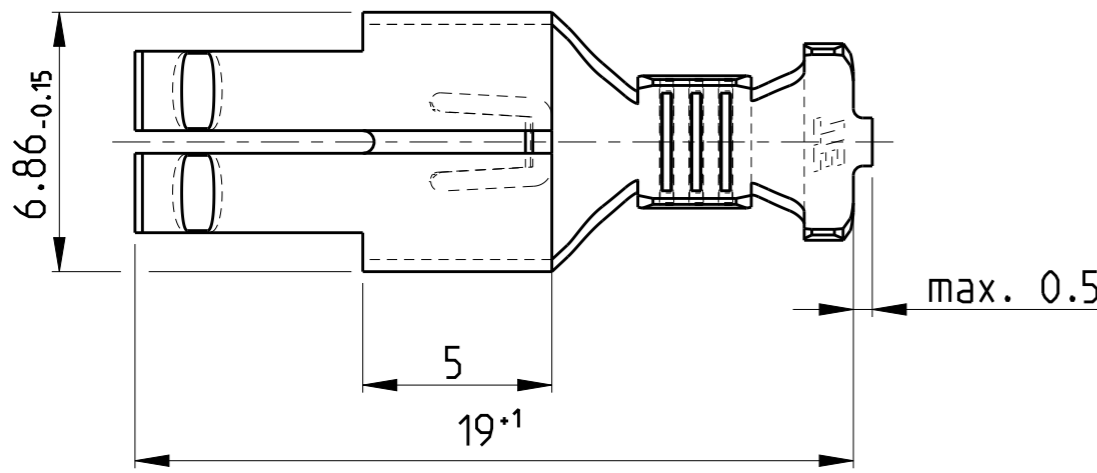


Leitungsquerschnitt in mm<sup>2</sup>  
 Cross-section in mm<sup>2</sup>

Single connection	Einzelanschl.	0.5	0.75	1.0	1.5	2.0	2.5	3.0	4.0	6.0
0.5	-	X	X	X	-	-	-	-	-	-
0.75	-	X	X	-	-	-	-	-	-	-
1.0	X	X	-	-	-	-	-	-	-	-
1.5	X	-	-	-	-	-	-	-	-	-
2	-	-	-	-	-	-	-	-	-	-
2.5	X	-	-	-	-	-	-	-	-	-
3.0	-	-	-	-	-	-	-	-	-	-
4.0	-	-	-	-	-	-	-	-	-	-
6.0	-	-	-	-	-	-	-	-	-	-



2:1



OBSOLETE	TiN vorverzinnt	CuFe	925612-5	W
OBSOLETE	TiN vorverzinnt	CuZn30	925612-4	W
OBSOLETE	TiN vorverzinnt	CuFe2	925612-3	W
	TiN vorverzinnt	CuSn4	925612-2	Y
	TiN vorverzinnt	CuZn30	925612-1	Y
	FINISH	MATERIAL	PART NO.	REV.

THIS DRAWING IS A CONTROLLED DOCUMENT.

DWN J.SALO 13-Aug-15	TE Connectivity NAME STANDARD TIMER CONTACT - -				
CHK X.PARERAS 13-Aug-15					
APVD R.SOLE 13-Aug-15					
PRODUCT SPEC 114-18080					
MATERIAL -	APPLICATION SPEC 108-18054	SIZE A3	CAGE CODE 00779	DRAWING NO. C-925612	RESTRICTED TO -
DIMENSIONS: mm	TOLERANCES UNLESS OTHERWISE SPECIFIED:	Customer Drawing			
Ø	0 PLC ±0.2	SCALE 5:1	SHEET 1 OF 1	REV W 2	
1 PLC ±0.2	2 PLC ±0.2				
2 PLC ±0.2	3 PLC ±0.2				
3 PLC ±0.2	4 PLC ±2°				
4 PLC ±2°	ANGLES ±2°				
MATERIAL -	FINISH -				